

DHI-ASL2101S-W DHI-ASL2101K-W

Bluetooth Airfly smart lock



Features

- 5-way opening: Bluetooth, DMSS App, Mifare Cards, passwords and mechanical keys
- Privacy password: xxx+password+xxx, preventing password to be seen by others
- Passage Mode and Non-disturbance Mode optional
- Auto lock when come across a consecutive invalid passwords or cards
- Low Voltage alarm(<4.5V)
- Huge storage: 50 cards, 50 passwords, 8 Bluetooth
- Emergency power supply outside
- Two colors optional
- Zinc alloy material

Technical Specification

Card

Card Type	Mifare 1
Card Features	Contactless, high security, all-in-one possible
Sensor Distance	< 20mm
Sensor Time	< 0.5s
Storage Capacity	50

Password

Keyboard Type	All-touch keyboard
Password Length	6-12 bits
Storage Capacity	50

Wireless control

Bluetooth mobile	Max. 8 mobiles phone
Airfly outdoor station	433Mhz wireless mudle built-in Controlled by VTO2111D-WP(433)

Battery

Working Voltage	6V, AA alkaline battery (4pcs)
Battery Life	About 1 year (10 units/D)
Low Battery Warning	< DC4.5V
Emergency Power Supply	9V battery

Structure

Door Thickness	35-65mm (customizable)
Backset	60/70mm
Material	Zinc alloy

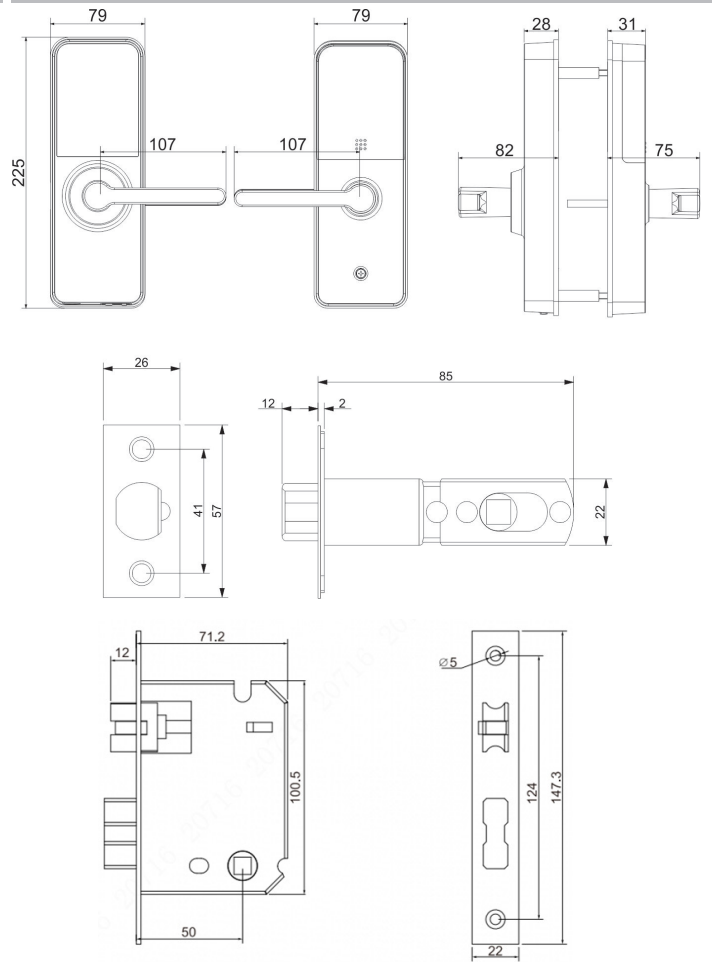
General

Working Temperature	-20°C~+55°C
Relative Humidity	10%~93%
Salt spray test	≥200h
Lock case test	≥100000 times
Package size	315*230*160(mm)
Gross weight	3.3Kg
Restore Default	Support
Reset	Support
Built-in Buzzer	Support

ASL2101S ASL2101K

Selection Dimensions

	DHI-ASL2101S-WL	Silver	Left-open
	DHI-ASL2101S-WR	Silver	Right-open
	DHI-ASL2101K-WL	Black	Left-open
	DHI-ASL2101K-WR	Black	Right-open



Application

Wireless control

ASL2101S-WL, ASL2101L-WR, 433Mhz

Coming soon

